

FEATURES

- The FlexSwitch™ 500 is a 4/8 NWay dual speed 10/100 UTP (RJ45) and Fast Ethernet fiber switch. It supports the IEEE 802.3 100Base-Fx, 100Base-Tx and 10Base-T standards.
- Supports 8000 MAC addresses and a full-wire speed of 148,800 packets per second of data forwarding/filtering rate for top performance.
- Auto-senses 10/100 speed and half-duplex or full-duplex operation for maximum speed and distance.
- Available in 4/8 UTP (RJ45) ports, 4/8 fiber ports or 4 UTP ports and 4 fiber ports.
- Supports multimode (MM) or single-mode (SM) fiber, SC or ST connector types.
- Per-port MDI/MDI-X crossover switch for flexibility; and auto-sensing, 10/100 and half/full duplex manual override switches for full control.
- Supports 412 m (1,350 ft.) in half-duplex fiber and 2 km (1.2 mi.) or 56 km (35 mi.) in full-duplex using multimode or single-mode fiber.

DESCRIPTION

The FlexSwitch™ 500 provides UTP and fiber switching bandwidth to demanding 10/100 Ethernet and Fast Ethernet UTP and fiber departmental and enterprise backbones.

Utilizing its internal 8 Mbytes of store and forward buffer, the FlexSwitch 500 supports a full-wire speed of 148,800 packets per second simultaneously on all ports with one-gigabit switching architecture and its dynamic buffer allocation. Utilizing its self-learning capability of up to 8000 MAC addresses, the FlexSwitch makes it suitable for any size of enterprise network.

The FlexSwitch 500 features 4 or 8 port combination of UTP and fiber ports. With per-UTP-port MDI/MDI-X crossover switch and per-port 10/100 and half / full duplex control switches, the FlexSwitch provides full control over each port's operation.

Fiber ports are available with SC or ST connectors for multimode or single-mode fiber. Half-duplex distances of 412 m (1,350 ft.) and full-duplex distances of 56 km (35 mi.) are supported.

The FlexSwitch 500 auto-adapts to the highest level of service supported by the device connected to each UTP port. When the device is a switch or a full-duplex workstation, the FlexSwitch 500 adapts to the full-duplex mode and provides an effective 200 Mbps bandwidth. When the device is a hub or a half-duplex workstation, the FlexSwitch adapts to the half-duplex mode and provides the basic 100 Mbps bandwidth.

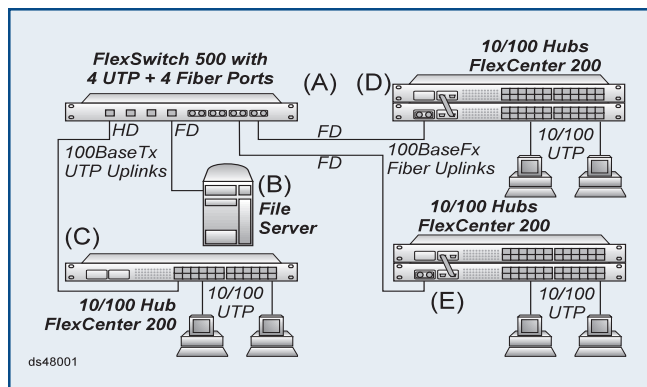
The FlexSwitch 500 provides diagnostics data through LEDs that assist in network installation and maintenance. The LEDs report the state of the network and the detection of devices and data being received by the fiber and UTP ports.

The FlexSwitch 500 can be used as a tabletop or rack-mounted using its enclosed mounting hardware. It utilizes an internal universal power supply and is completely software-independent and requires no software setup.

SAMPLE APPLICATIONS

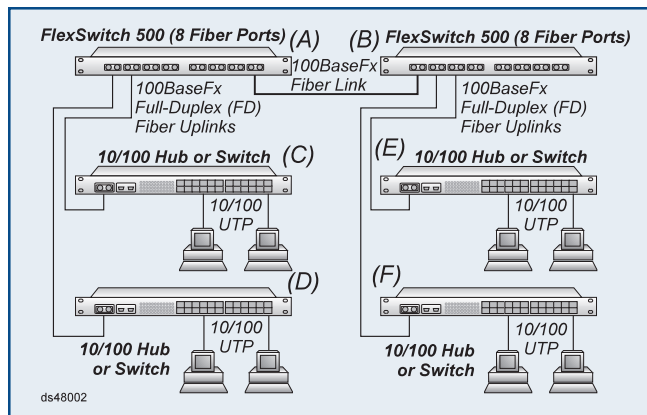
Application 1. Mixed UTP and Fiber Switching

The first diagram depicts a mixed distance environment where a UTP / Fiber FlexSwitch 500 (A) is connected to a file server (B) via a full-duplex Fast Ethernet UTP port. A 10/100 hub (C) is connected to it via a half-duplex UTP uplink (due to the shared nature of the hub) and two distant stacks of 10/100 hubs (D) and (E) are connected to it via full-duplex fiber.



Application 2. Distributed Backbone Configuration

This case depicts two switches (A) and (B) connecting between two buildings and each one supporting two 10/100 hubs connected to them from wiring closets within each building.



SPECIFICATION

- **Protocol:** IEEE 802.3, 100Base-Fx, 100Base-Tx, 10Base-T
- **Connectors and Cables:**
 - Twisted Pair UTP:** RJ45, Category 5 (EIA/TIA 568)
 - Fiber:** SC or ST
 - Multimode (MM):** 50/125, 62.5/125, 100/140 um
 - Single-Mode (SM):** 9/125 um
- **Supported Distances:** **Half-Duplex Full-Duplex**
 - Twisted Pair UTP:** 100 m / 328 ft. 100 m / 328 ft.
 - MM:** 412 m / 1350 ft. 2 km / 1.2 mi. / 6,560 ft.
 - SM, Standard:** 412 m / 1350 ft. 28 km / 16.8 mi. / 91,840 ft.
 - SM, Extended (LH):** 412 m / 1350 ft. 56 km / 35 mi. / 183,680 ft.
- **Indicators (per port):**
 - Activity:** LED, Green, data received
 - Link:** LED, Green / Yellow, 100 / 10 Link detected
 - Duplex Mode:** LED, Green / Yellow, Full / Half-Duplex
 - Collision:** LED, Yellow, Collisions detected
- **Switches (per port):**
 - UTP Crossover:** Straight / Crossed
 - UTP Auto-Negotiation:** Auto-Negotiation / Manual
 - UTP / Fiber Duplex:** Full-Duplex / Half-Duplex
 - UTP Speed Mode:** 10/100
- **Dimensions / Weight:** W:19.0"xD:8.0"xH:1.75" / 7 lb.
- **Power:** 110 / 230 VAC, 50 / 60 Hz
- **Temperature:** 0 to 50 degrees C
- **Humidity:** 0-90% (non-condensing)

ORDERING INFORMATION

Model Description

4800	FlexSwitch 500, 8 RJ45 ports
4801	FlexSwitch 500, 4 RJ45 ports
4810	FlexSwitch 500, 8 SC/MM ports, 1300 nm
4811	FlexSwitch 500, 4 SC/MM ports, 1300 nm
4812	FlexSwitch 500, 8 SC/SM ports, 1300 nm
4813	FlexSwitch 500, 4 SC/SM ports, 1300 nm
4814	FlexSwitch 500, 8 ST/MM ports, 1300 nm
4815	FlexSwitch 500, 4 ST/MM ports, 1300 nm
4816	FlexSwitch 500, 8 ST/SM ports, 1300 nm
4817	FlexSwitch 500, 4 ST/SM ports, 1300 nm
4820	FlexSwitch 500, 4 RJ45, 4 SC/MM ports, 1300 nm
4821	FlexSwitch 500, 4 RJ45, 4 SC/SM ports, 1300 nm
4822	FlexSwitch 500, 4 RJ45, 4 ST/MM ports, 1300 nm
4823	FlexSwitch 500, 4 RJ45, 4 ST/SM ports, 1300 nm
4824	FlexSwitch 500, 4 RJ45, 4 SC/MM/LH ports, 1300 nm
4825	FlexSwitch 500, 4 RJ45, 4 ST/SM/LH ports, 1300 nm
4830	FlexSwitch 500, 8 SC/MM/LH ports, 1300 nm
4831	FlexSwitch 500, 4 SC/MM/LH ports, 1300 nm
4832	FlexSwitch 500, 8 ST/MM/LH ports, 1300 nm
4833	FlexSwitch 500, 4 ST/MM/LH ports, 1300 nm

For other configurations, consult factory.

Trademarks are owned by their respective companies.
FlexPoint, FlexSwitch are trademarks of
Omnitron Systems Technology, Inc.
Specifications subject to change without notice.
©1998-99 Omnitron Systems Technology, Inc.

**OST Omnitron Systems
Technology, Inc.**

27 Mauchly #201, Irvine, CA 92618
Tel: (949) 250-6510 Fax: (949) 250-6514
E-mail: info@omnitron-systems.com
Web Site: <http://www.omnitron-systems.com>